



NSF

ONLY NSF-certified Sugar Cane Juicer in North America

✓ Safety switches
and emergency stop.

✓ Rollers can be
cleaned in sink.

✓ High torque
for tough cane.

Highest yield due to
the gap between the rollers

CONTACT US

+1-800-627-2886



✉ info@juicernet.com

🌐 www.juicernet.com

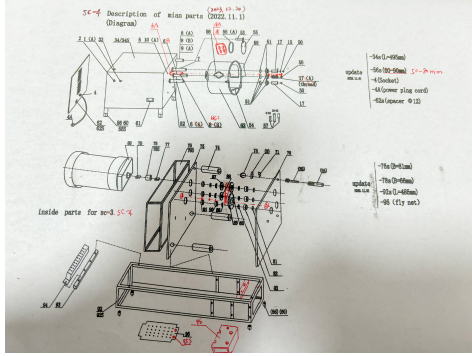
📍 2875 Jupiter Park Drive Suite 1600, Jupiter, FL

Manufactured by JuiceMatic Plus, Inc.

SC-4 Sugarcane Juicer

This exceptional juicer is equipped with three robust stainless steel rollers, including a specially threaded bottom roller. This innovative design effortlessly channels the juice directly into your container while significantly reducing splashing. A detailed diagram illustrates just how easily the machine can be disassembled.

Simple to disassemble
One of the standout features of the SC-4 is its intelligent overload protection. This safeguard protects the motor in case of jamming, ensuring longevity and consistent performance.



Plus, with a handy forward and reverse switch, any jams are quickly and easily resolved. The advanced gear box design minimizes stress on the powerful 1/2 HP motor while boosting torque, enabling you to process even the toughest sugarcane with ease.

Space-saving Specifications:

Inlet hole diameter: 2 1/4 inches

Output speed:	15 rpm
Net/Gross weight:	198 lbs / 223 lbs
Length:	27 inches
Width:	13 inches
Height:	21 inches
Motor:	110, 1/2 HP 10 amps

Important Sugarcane Tip:

We highly recommended that you use 2 ft. length sugarcane with a diameter of up to 2-1/4 in. and cut at an angle.

ONE (1) PASS ONLY—
Do not fold and reuse sugarcane!



Invest in Quality

Crafted from high-quality stainless steel, the SC-4 promises exceptional longevity, even in the busiest of environments. A crucial safety switch prevents access to the machine when the front guard is removed, ensuring a safe operation.

Juicernet backs this commitment with a full one-year warranty on parts, one of the most comprehensive in the industry. We stand behind our product 100%, giving you the confidence and assurance you need in your commercial juicing journey.

Since 1982, we have been specializing in juicers and corers with the highest quality equipment available in the industry today and have juicers that will process anything from apples to wheatgrass. We take pride in our customer service and support.



www.juicernet.com
1-800-627-2886

Numerous Profitable Serving Options



Serve Over Ice



Mix for Mojitos



Make Lemonade

10 Benefits of Drinking Sugarcane Juice

- ✔ Great preventive and healing source for sore throat, cold and flu.
- ✔ Strengthens the stomach, kidneys, heart, eyes, and brain.
- ✔ Contains iron and a variety of essential vitamins.
- ✔ Refreshes and energizes the body instantly as it is rich in carbohydrates.



Customers
Feeling
Stressed?
Suggest the
Powers of
Sugarcane

The above statements are not intended to diagnose or treat disease.

REV. C 3/28/24

www.juicernet.com
1-800-627-2886