

# THE FRESH FRUIT EXPERIENCE



READY TO  
GO IN JUST  
**20**  
SECONDS

- ✓ Increase Pineapple and Overall Store Sales
- ✓ Increase Traffic to Store and Customer Satisfaction
- ✓ Increase Options (cut fruit, spears)
- ✓ Increase Branding (custom wrap and theater effect)
- ✓ Decrease Labor Costs

**PIÑABAR**<sup>®</sup>  
THE FRESHFRUIT FUNFACTOR



READY TO GO IN JUST  
**20**  
SECONDS

**INSTANT PEELED PINEAPPLE**

CORED OR SPEARS

**TRAFFIC AND STOP POWER**

- GENERATING TRAFFIC IN YOUR STORE
- FITS INTO ROUTING VISION "GET THEM TO THE FRESH CORNER"
- BOOST SALES

**EASY TO CLEAN**

CLEAN IN 10 MIN. BY TRAINED OPERATOR

**GENUINELY FRESH PINEAPPLE**

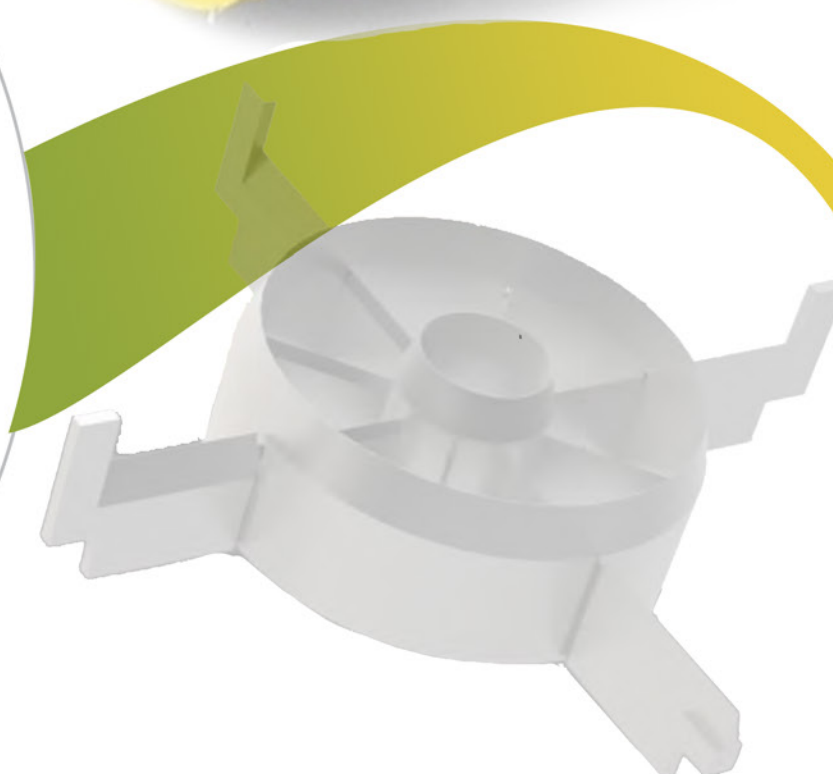
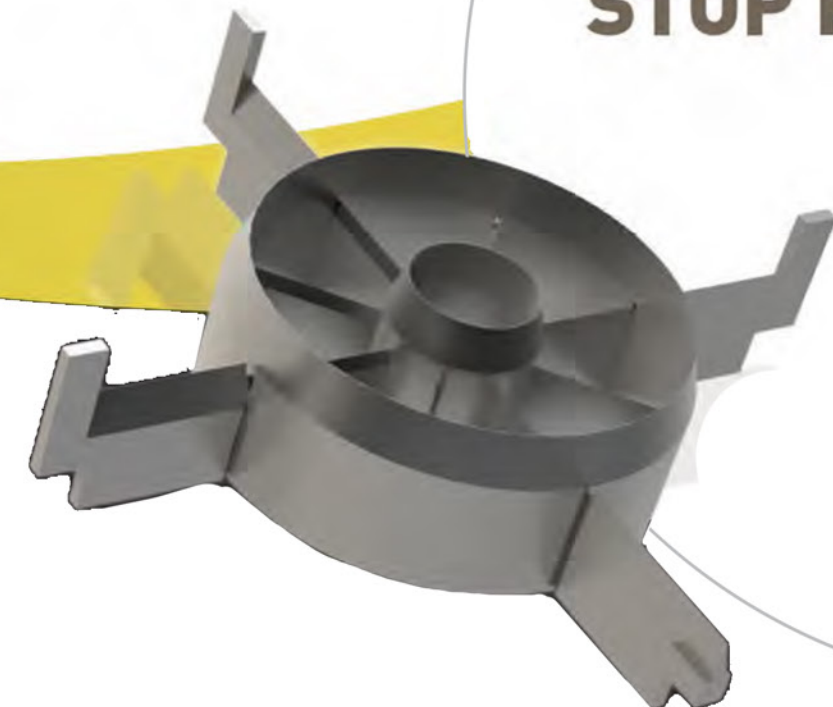
GET YOUR FRUIT STRAIGHT FROM THE PINEAPPLE

**BRANDING**  
**INSTANT**  
**STOP POWER**  
**FRESH**  
**EXPERIENCE**  
**EASY**

**USER EXPERIENCE**

- EASY TO USE
- OFFERS THE BEST SELF-SERVICE
- APPEALING PRESENTATION

- BLADES AVAILABLE FOR PINEAPPLE TYPES 5,6,7,8,9
- EASY TO MOVE AROUND



## BRANDING TOOL

- CUSTOMIZED PRESENTATION
- EXTRA CONVENIENT SERVICE FOR YOUR CUSTOMERS



Our machine is a branding tool for your marketing department. It can be customized in style and color and can include your business logo in the custom wrap. Custom-made POS materials can also be arranged.



## TECHNICAL DATA

### PRODUCT SPECIFICATIONS:

Dimensions: 76"H x 29"W x 32"D

Weight: 725 lbs.

Color: Fully customizable

Blades: Available for pineapple types 5-9; always use the correct blade set for each size.

Waste container capacity: 40 lbs. of peel (25 pineapples)

Capacity: 5/min

Cleaning: We recommend cleaning once per day, at the end of each operational day.

*Waste container and user manual included with each machine.*

### ELECTRICAL SPECIFICATIONS:

120V, 60Hz single phase 20 AMP

Service on a dedicated circuit.

Power: 350 watts

Sound level: < 70 dB

### SHIPPING SPECIFICATIONS:

Height: 85 in.

Width: 48 in.

Depth: 48 in.

Weight: 750 lbs.

### PINEAPPLE CONTAINER SPECIFICATIONS:

Diameter top: 4.6 in.

Diameter bottom: 3.6 in.

Height: 4.9 in.

Pineapple sizes 5 and 6 = 1000 ml container

Pineapple sizes 7 and 8 = 850/870 ml container

### WARRANTY:

1 year parts and 90 days labor

Piñabar is manufactured by:



[www.dutchfoodtechnology.com](http://www.dutchfoodtechnology.com)



Piñabar is distributed by:



... have been specializing in juicers and corers with the highest quality equipment available in the industry today and have juicers that will process anything from apples to wheatgrass and even sugarcane.