

FRESH'N  
SQUEEZE®

**Citrus Juicer**



Fresh'n Squeeze®

The Perfect Squeeze™

# The Perfect Squeeze™

Really fresh, really good and really profitable.

## Image Builder

The ultimate point-of-sale image builder, freshly squeezed orange juice and lemonade made in view of your customer fresh every day is perfect for hotels, restaurants, coffee shops, grocery stores and juice bars.

So, if your plans call for offering a fresh and natural product like fresh squeezed orange juice or fresh squeezed lemonade, let your consumers experience juices made with the Fresh'n Squeeze Citrus Juicer.

## Whole Fruit Extraction Principle

JBT extraction technology provides customers with a compact juicer that uses the same patented "whole fruit extraction principle" used in our renowned industrial extractors.

JBT extractors, the global leader in citrus juice processing technology, currently process over 75% of citrus juices produced worldwide.



Optional hopper



## Juice Quality

The basic principle of instantaneous separation is the major reason for the superior quality juice delivered by the Fresh'n Squeeze Citrus Juicer.

The design of our juicer instantaneously separates juice from peel, seed and albedo components which, if allowed to stay in contact with the juice, have an adverse effect on flavor.

## Juice Yield

The Fresh'n Squeeze Citrus Juicer yields up to 50% more juice per unit of fruit than any other point-of-sale juicer.

Our unique design allows the juicer to process the widest range of fruit sizes and all citrus varieties including oranges, grapefruit, lemons, limes and tangerines.

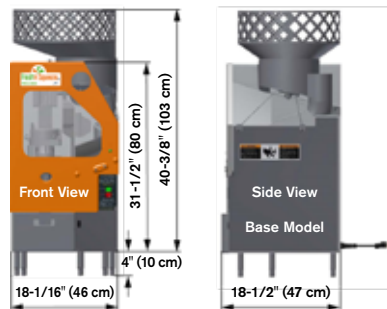
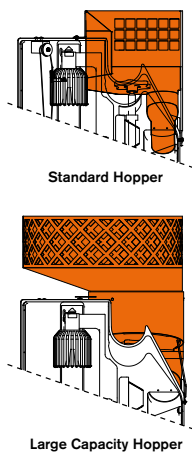
# Citrus Juicer Specifications

TECHNICAL SPECIFICATIONS (METRIC SHOWN IN BRACKETS)	
<b>THROUGHPUT</b>	10 fruit per minute
<b>FRUIT CAPACITY WITHOUT HOPPER</b>	15-20 Fruit
<b>APPROXIMATE JUICE PRODUCTION</b>	1500 - 1700 ounces/46 quarts (43 liters) per hour
<b>TYPICAL FRUIT COUNT</b>	Per 40 lb. (18 kg) carton, 80-138
<b>ELECTRICAL REQUIREMENTS</b>	0,23 kw, 100/110/115 volts, 50/60 Hz, 20 amp service, single phase
<b>SAFETY FEATURES</b>	Completely enclosed, safety interlock switches
<b>FINISH</b>	Stainless steel with clear lexan juicing window
<b>WEIGHT</b>	200 lbs. (90 kg)
<b>WASTE CONTAINER</b>	Holds peel from 30-40 Fruit
<b>AVERAGE FRUIT SIZE</b>	2-1/2" (63,5 mm) to 3-1/4" (82,5 mm)

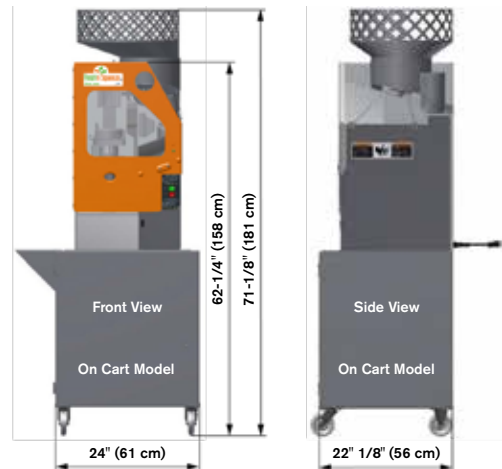
OPTIONAL ACCESSORIES
Strainer tubes to vary pulp levels
Mobile cart with dispenser shelf
Standard Hopper: 1/2 box 50 fruit, 20 lbs. 60 fruit
Large Capacity Hopper: 1 box 100 fruit, 40 lbs. 120 fruit



Copyright © John Bean Technologies Corporation



Note: Add 4" (10 cm) to overall height for Citrus Juicer with legs.



## WE ARE YOUR SINGLE SOURCE FOR PROFITABLE PROCESSING SOLUTIONS

JBT is a leading provider of integrated food processing solutions. From single machines to complete processing lines, we enhance value and capture quality, nutrition and taste in food products. With a local presence on six continents, JBT can quickly provide our customers and partners in the food processing industry with the know-how, service, and support needed to succeed in today's competitive marketplace.

### JBT LIQUID FOODS

FRESH PRODUCE TECHNOLOGIES | FRESH-CUT, ROBOTICS, STEAMING | FRUIT AND VEGETABLE PROCESSING | SECONDARY PROCESSING | ASEPTIC SYSTEMS | FILLING AND CLOSING | IN-CONTAINER STERILIZING | TRAY SEALING | HIGH-PRESSURE PROCESSING | POWDER PROCESSING | TUNA PROCESSING

### OUR BRANDS



#### North America

John Bean Technologies Corporation  
400 Fairway Avenue  
Lakeland, FL 33801  
USA  
Phone: +1 863 683 5411  
Fax: +1 863 680 3672

#### Europe

John Bean Technologies SpA  
Via Mantova 63/A  
43122 Parma  
Italy  
Phone: +39 0521 908 411  
Fax: +39 0521 460 897

#### Asia Pacific

John Bean Technologies (Thailand) Ltd.  
No. 159/26 Serm-Mit Tower 16th Floor  
Room no. 1602-3 Sukhumvit 21 Road  
Klongtoey Nua Sub-district, Wattana District  
Bangkok 10110 Thailand  
Phone: +66 2 257 4000  
Fax: +66 2 261 4099

#### Latin America

JBT de México S de RL de CV  
Camino Real a San Andrés Cholula No. 2612  
Col. San Bernardino Tlaxcalancingo  
72820 San Andrés Cholula, Puebla  
México  
Phone: +52 222 329 4902  
Fax: +52 222 329 4903

John Bean Technologies Spain, S.L.U.  
Autovia A-2, km 34,400  
28805 Alcalá de Henares  
Madrid, Spain  
Phone: +34 91 304 0045  
Fax: +34 91 327 5003

#### South America

John Bean Technologies  
Máq. e Equip. Ind. Ltda.  
Av. Eng Camilo Dinucci 4605  
14808-900 Araraquara, São Paulo  
Brazil  
Phone: +55 16 3301 2000  
Fax: +55 16 3301 2144

#### South Africa

John Bean Technologies (Pty) Ltd.  
Koper Street  
Brackenfell  
Cape Town, South Africa 7560  
Phone: +27 21 982 1130  
Fax: +27 21 982 1136



We're with you, right down the line.™

hello@jbt.com | freshnsqueeze.com | jbt.com

